

# PEDESTAL AND WALL AIR CIRCULATORS

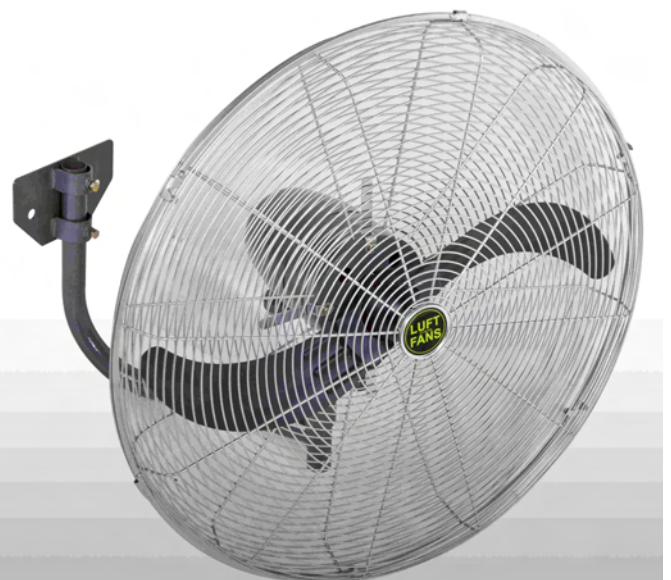
*SERIES FS/FB*

## INTRODUCTION

Control your climate, improve comfort levels and add ventilation with these cost efficient, highly adaptable fans. Set them to oscillate, or remain stationary, at different speeds to circulate throughout your room or office. The motor guard assembly can be adjusted in the vertical plane to allow the air flow to be directed upward or downward.

## FEATURES

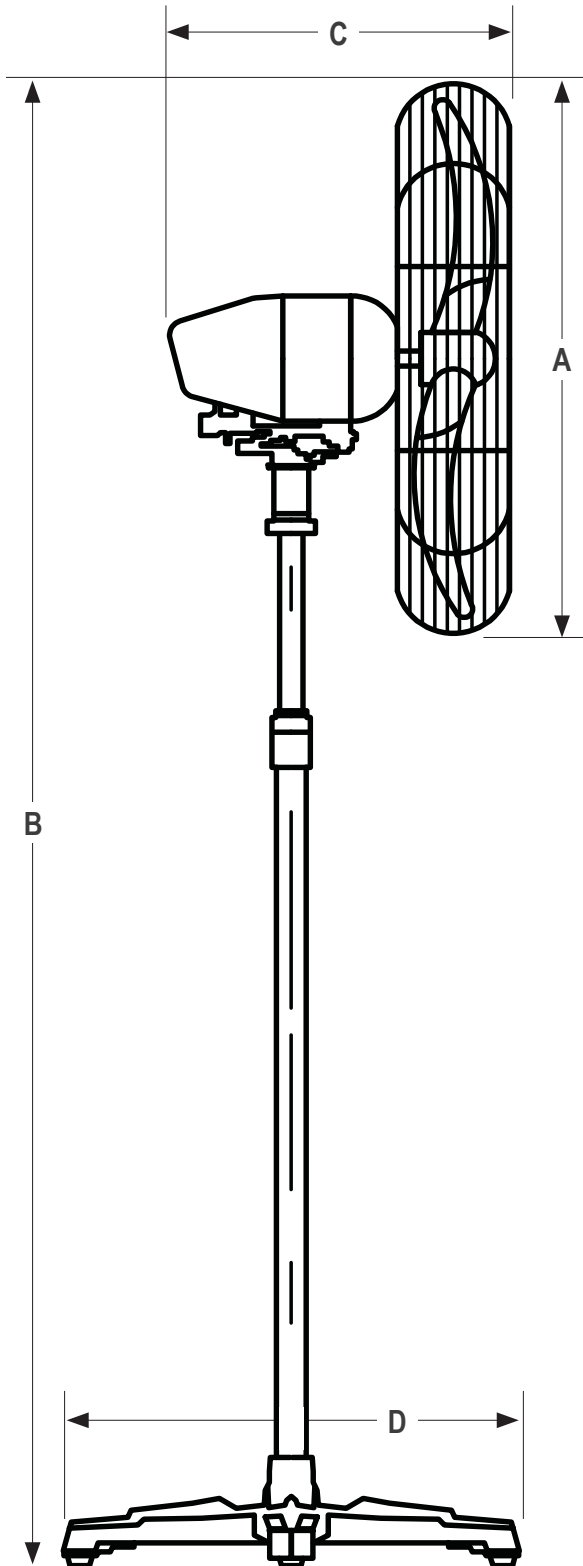
- Efficient, reliable
- Robust construction
- Fixed or oscillating
- Low noise level
- 3 speeds and off
- Adjustable height
- Adjustable oscillation
- Dark grey paint finish



### FS50 / FS65

#### CONVENIENT COMFORT

The comfort of people in industrial and commercial areas can be vastly improved by the use of these type of air circulators.



#### MODEL FS / FB 65

Speed no.	3	2	1
Fan rpm	1400	1250	1150
Volume m/sec	2.95	2.67	2.45
Noise dBA	56	49	46
Power Watts	200	140	120

#### MODEL FS / FB 50

Speed no.	3	2	1
Fan rpm	1360	1240	1100
Volume m/sec	2.8	2.5	2.3
Noise dBA	55	47	43
Power Watts	130	110	95

#### DIMENSIONS

FAN	A	B	C	D
FS 65	730	1930	330	610
FB 65	730	350	330	520
FS 50	580	1850	330	510
FB 50	580	330	330	570

FB65  
FB50

