



# LUFT FANS

IMPELLED TO PERFORM

## PLATE AXIAL

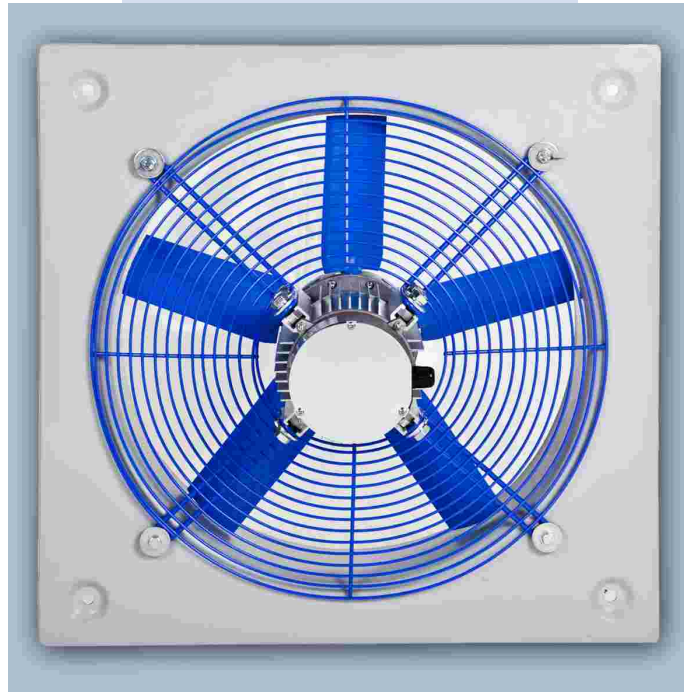
## SERIES F

### THE PRODUCT

The Luft series 'F' plate axials are an established range of high quality bellmouth plate mounted fans. Designed for either wall or duct mounting, these air movers are engineered to high standards having excellent volume/power characteristics. The range covers 15 models in sizes from 315mm to 630mm. Two standard speeds, 920rpm and 1440rpm (nominal) are available and can be supplied with single or three phase motors.

### CONSTRUCTION

The fans come fully assembled and are tested before delivery. The motor is supported by a rigid powder-coated wire guard, which is fixed to a glass fibre bellmouth plate. The guard supports the motor and doubles as a protection screen to avoid accidental contact with the rotating impeller and prevents airborne objects from passing through the fan. The guard is fixed to the plate via secured rubber mountings to ensure vibration free operation. The polypropylene impeller with true aerofoil section blades delivers maximum output with low noise levels. The centre hub is die cast in aluminium or polypropylene and fixed to the motor shaft by a retaining washer and high tensile bolt. The legend plate showing the fan details is fixed to rear of the motor for easy reference.



### FINISH

Manufactured essentially from corrosion proof materials, all fixings are electro galvanized. The fibreglass plate, together with the polypropylene blades and epoxy coated protection guard ensure the highest degree of anti-rust protection for the fan assembly.

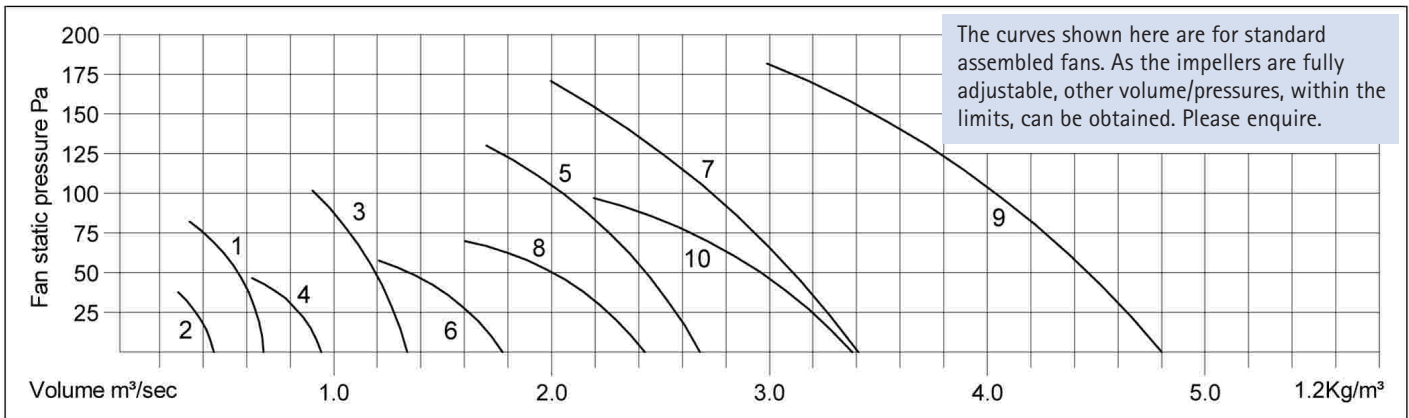
### MOTOR

Extruded aluminium air stream motors of robust design are generously sized to match the impeller diameter. Class 'F' insulation with IP55 protection is standard throughout the range ensuring protection against moisture and industrial atmospheres. Bearings are sealed and are to SABS and IEC standards. The motor temperature range is from -20°C to 40°C. All fans have standard metric frame motors.

All models are available in 220V and 380V, however 220V models are not supplied in 920rpm.

### HAZARDOUS LOCATIONS

The fans throughout the range can be supplied with spark proof motors.



### FAN TECHNICAL DATA

CODE	Curve	RPM	V/Hz	kW	Amps	dBA
LPA315/41F	1	1430	220/50	0.25	2.3	50
LPA315/43F	1	1350	380/50	0.25	0.9	50
LPA315/63F	2	910	380/50	0.37	1.3	45
LPA400/41F	3	1430	220/50	0.25	2.3	56
LPA400/43F	3	1350	380/50	0.25	0.9	56
LPA400/63F	4	910	380/50	0.37	1.3	52
LPA500/41F	5	1400	220/50	0.55	4.0	60
LPA500/43F	5	1390	380/50	0.55	1.6	60
LPA500/63F	6	910	380/50	0.37	1.3	56
LPA560/41F	7	1390	220/50	0.75	5.1	63
LPA560/43F	7	1400	380/50	0.75	2.2	63
LPA560/63F	8	910	380/50	0.37	1.3	60
LPA630/41F	9	1390	220/50	1.10	7.4	73
LPA630/43F	9	1390	380/50	1.10	2.8	73
LPA630/63F	10	910	380/50	0.55	2.0	66

### FAN DIMENSIONS & WEIGHT

CODE	A	B	C	D	E	Kg
LPA315	331	400	315	336	82	11
LPA400	413	532	345	452	105	13
LPA500	517	665	350	562	115	16
LPA560	563	710	365	630	115	17
LPA630	638	800	390	710	140	21

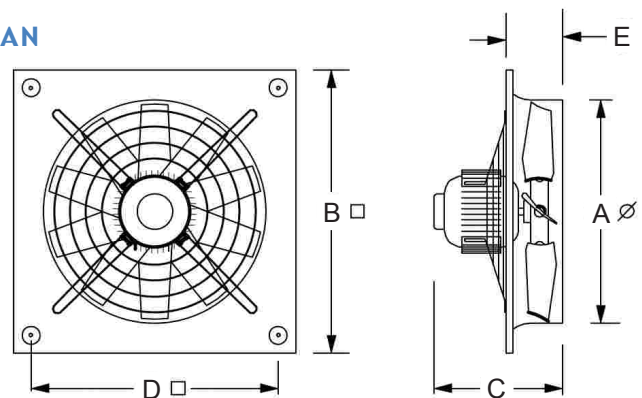
### LOUVRE SHUTTER - aluminium

CODE	(Fan)	A	B	C
LS315	(LPA315)	450	25	330
LS400	(LPA400)	540	25	420
LS500	(LPA500)	640	25	520
LS560	(LPA560)	700	25	580
LS630	(LPA630)	770	25	650

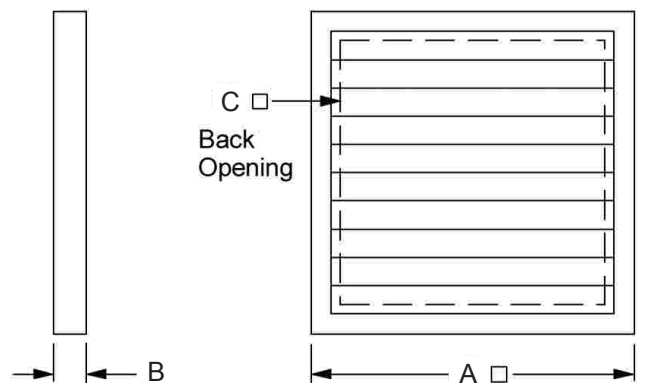
### WALL COWL - GRP

CODE	(Fan)	A	B	C	D
WC400	(LPA315,400)	505	410	440	15°
WC500	(LPA500)	604	514	494	15°
WC630	(LPA560,630)	760	640	582	15°

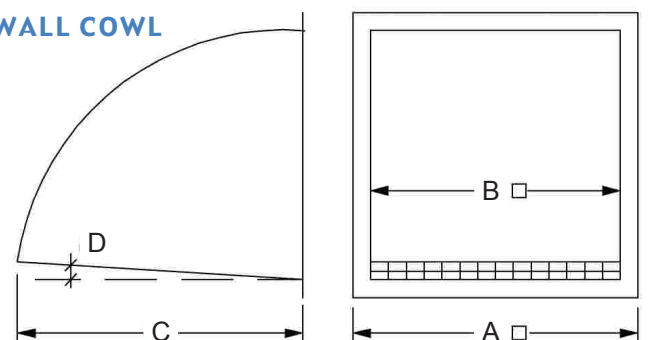
### FAN



### LOUVRE SHUTTER



### WALL COWL



Luft Industries Natal (Pty) Ltd  
 21 Aloe field Crescent, Springfield Park, Durban.  
 Tel: +27 31 579-3999 • Fax: +27 31 579-2999 • Email: info@luft.co.za  
 Website: www.luft.co.za